

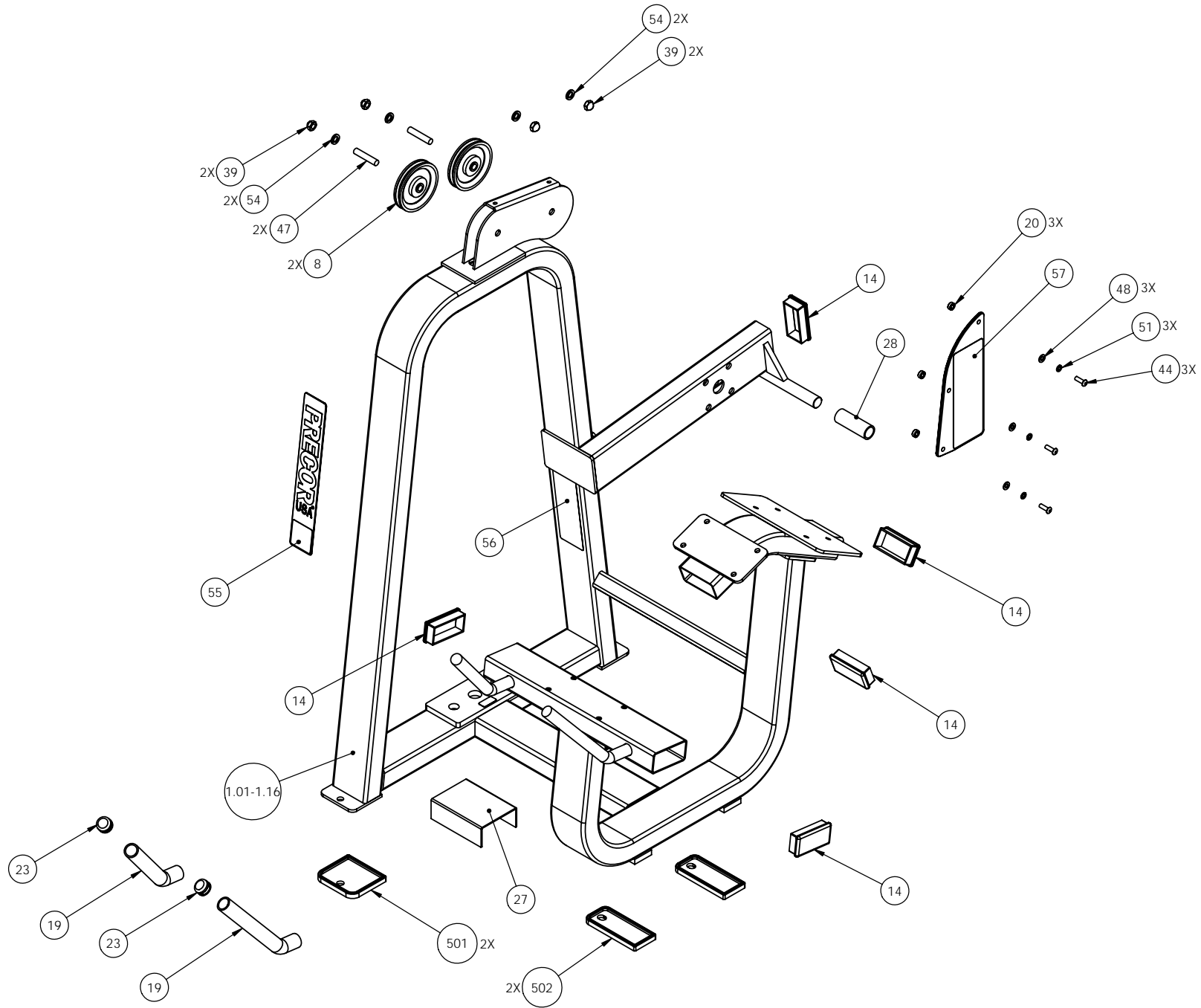
WEIGHTS/GUIDE RODS,  
SHEET 4

PIVOT ARMS/CAM,  
SHEET 3

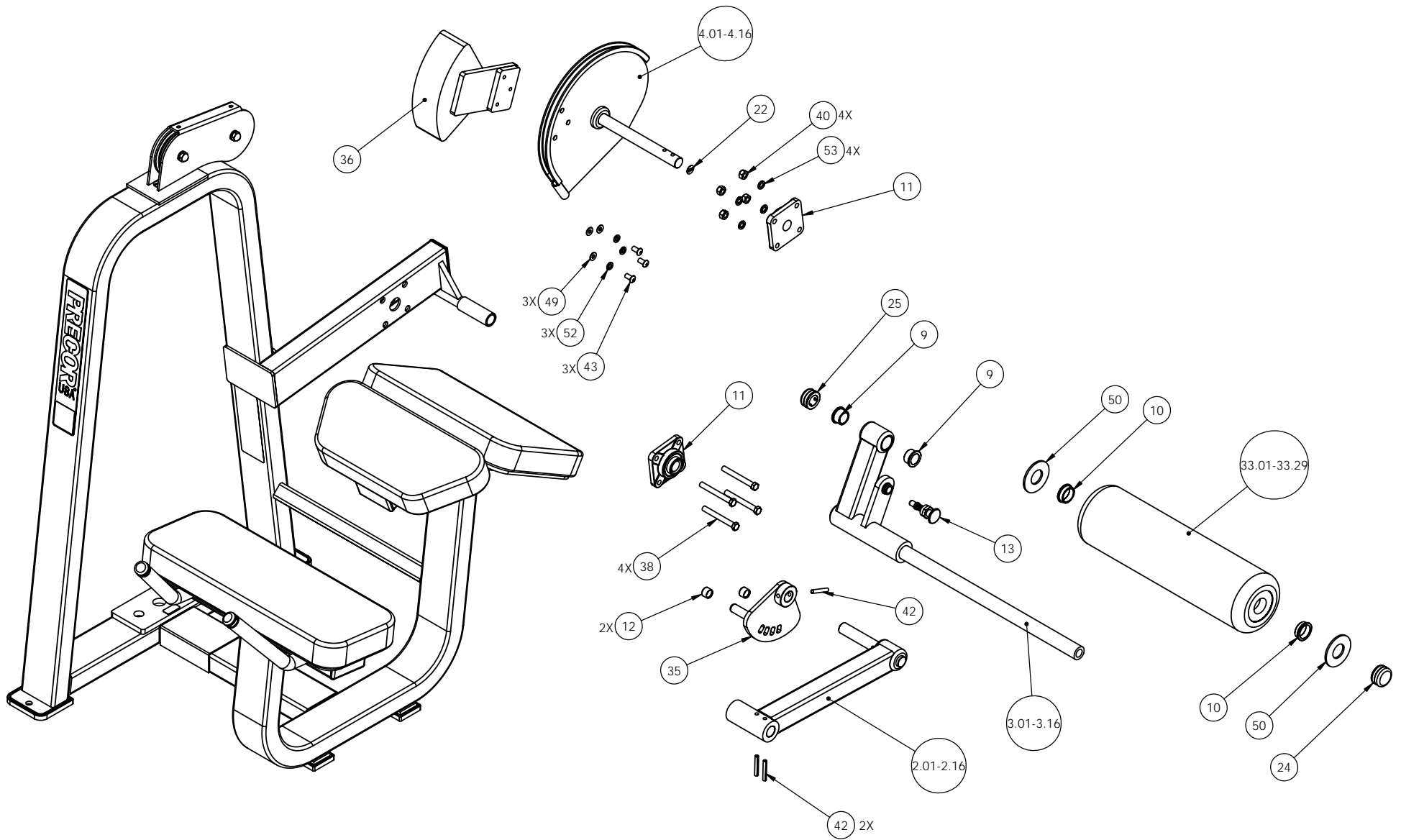
PADS/HARDWARE,  
SHEET 4

FRAME/COMPONENTS,  
SHEET 2

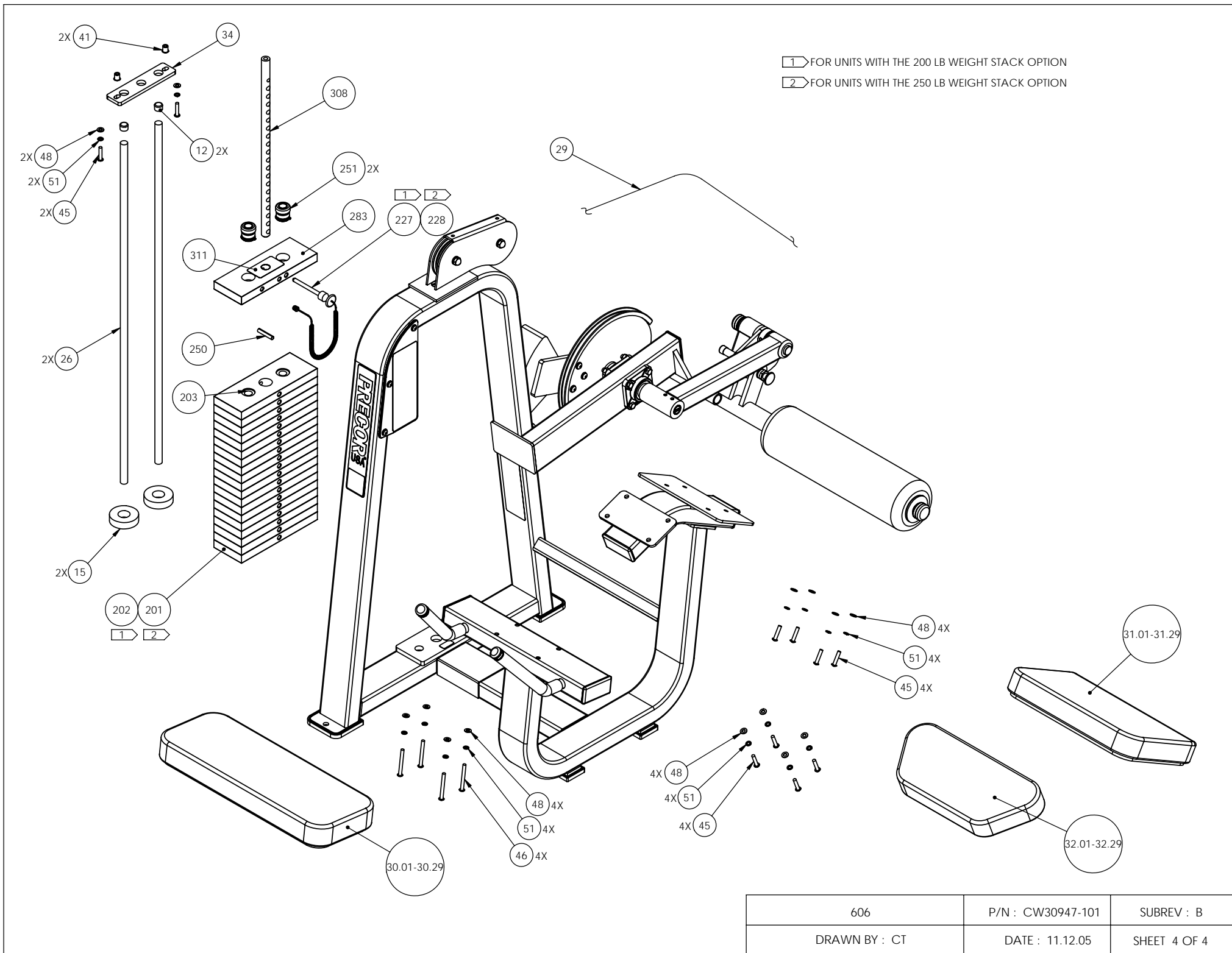
606	P/N : CW30947-101	SUBREV : B
DRAWN BY : CT	DATE : 11.12.05	SHEET 1 OF 4



606	P/N : CW30947-101	SUBREV : B
DRAWN BY : CT	DATE : 11.12.05	SHEET 2 OF 4



606	P/N : CW30947-101	SUBREV : B
DRAWN BY : CT	DATE : 11.12.05	SHEET 3 OF 4



606	P/N : CW30947-101	SUBREV : B
DRAWN BY : CT	DATE : 11.12.05	SHEET 4 OF 4

## 606 Prone Leg Curl

Part Number	Description	Bubble Number
CW606SA1-211	ASSY,FRAME,MAIN,606,SKY WHITE	1.01
CW606SA1-311	ASSY,FRAME,MAIN,606,STONE HG	1.11
CW606SA1-321	ASSY,FRAME,MAIN,606,TITANIUM HG	1.12
CW606SA2-211	ASSY,ARM,UPPER PIVOT,606,SKY WHITE	2.01
CW606SA2-311	ASSY,ARM,UPPER PIVOT,606,STONE HG	2.11
CW606SA2-321	ASSY,ARM,UPPER PIVOT,606,TITANIUM H	2.12
CW606SA3-211	ASSY,ARM,LOWER PIVOT,606,SKY WHITE	3.01
CW606SA3-311	ASSY,ARM,LOWER PIVOT,606,STONE HG	3.11
CW606SA3-321	ASSY,ARM,LOWER PIVOT,606,TITANIUM H	3.12
CW606SA4-211	ASSY,CAM,606,SKY WHITE	4.01
CW606SA4-311	ASSY,CAM,606,STONE HG	4.11
CW606SA4-321	ASSY,CAM,606,TITANIUM HG	4.12
CW30048-101	LABEL,INSTRUCTION,606	5
CWAC1001-101	LABEL, "ICARIAN", 1 1/2 X 8 1/8	6
CWAC1002-101	LABEL, "ICARIAN", 3 X 16 3/8	7
CWAC1009-101	PULLEY, 4 1/2 DIA X 1/2 ID	8
CW10043-134	BUSHING, BRONZE, 1" ID X 1 1/4" OD	9
CW10043-135	BUSHING, BRONZE, 1 1/4" ID X 1 1/2"	10
CW12405-101	PILLOW BLOCK, BEARING, FLANGE, 4 BO	11
CW12404-101	CAP, GUIDE ROD,DIA 3/4, BLK	12
CW30165-752	ASSY, POP PIN, 0.450 DIA NOSE, BLU	13
CW11311-102	ENDCAP, REC TUBE, 2X4, BLK PLASTIC	14
CW12402-101	BUMPER, ID 1.050, BLK RUBBER	15
CW34822-101	LABEL, "ASSEMBLED IN THE USA"	16
CWAC1183-101	LABEL, WARNING, SERIOUS INJURY	18
CWGR4610-250	GRIP, RUBBER, 1.00" OD HANDLE, 10.2	19
CWAC1228-901	SPACER, ALU,.328 ID X .625 OD X .25	20
CWAC1232-101	LABEL, ROUND, "PIVOT"	22
CWAC218-901	HANDLE END CAP W/SET SCREWS, DIA 1"	23
CWAC221-901	SHAFT END CAP W/SET SCREWS, DIA 1 1	24
CWAC222-901	ASSY, SHAFT END CAP W/SET SCREWS, D	25
CWPF1212-711	GUIDE ROD, 3/4 X 42 5/8 (#4), CHM	26
CWCP8106-000	CP, ABS CHANNEL, 1/8 X 2 X 4 X 6 1/	27
CWGR4603-500	GRIP, RUBBER, 1.00" OD HANDLE, 3.50	28
CWCLGH071-875	ASSY, CABLE, 606	29
CWPD1104A-101	PAD,9X24,4HOLES,BLACK	30.01
CWPD1137B-101	PAD,12X18,4HOLES,W/BP,BLACK	31.01
CWPD1305A-101	PAD,7.5X12X21.06,4HLS,BLACK	32.01
CWPD1402A-101	PAD,5.625ODX1.5IDX20,BLACK	33.01
CWPF1016-732	BAR,,FLAT CR/HR, 3/8 X 2 X 8 1/4, 3	34
CWSA1115-721	ASSY,RANGE LIMITER,SMALL,606,	35
CWSA1506-721	WELDMENT, COUNTER WEIGHT, 3" THK, W	36
CW30103-200	WEIGHT STACK,200 LBS,MTP-S,19 X 10	37
CWHCYN044-375	SCREW, HEX HEAD, BLK XYLAN, 7/16-	38
CWKADLN050-081	NUT, ACORN, 1/2-13	39
CWKMYN044-038	NUT, HEX, UNC, 7/16-14, BLK XYLAN	40
CW12537-109	NUT,INSERT,THIN-NUT,LARGE FLANGE	41
CWLDNN031-200	SLOTTED PIN SPRING, DIA 5/16 X 2.00	42

CWTAYN038-075	SCREW, BUTTON HEAD, BLK XYLAN, 3/8	43
CWTAYN031-100	SCREW, BUTTON HEAD, BLK XYLAN, 5/16	44
CWTAYN031-150	SCREW, BUTTON HEAD, BLK XYLAN, 5/16	45
CWTAYN031-300	SCREW, BUTTON HEAD, BLK XYLAN, 5/16	46
CWBFNN050-250	STUD, 1/2-13 X 2 1/2	47
CWWBKN031-007	WASHER, FLAT, TYPE A, SAE, 5/16 ID	48
CWWBKN038-007	WASHER, FLAT, TYPE A, SAE, 3/8 ID	49
CWWNKN138-016	WASHER, FLAT, 1 3/8 ID X 3 OD, 0.15	50
CWWALYN031-008	WASHER, SPLIT, 5/16 ID, BL	51
CWWALYN038-009	WASHER, SPLIT, 3/8 ID, BLK XYLAN	52
CWWALYN044-011	WASHER, SPLIT, 7/16 ID, BLK XYLAN	53
CWWALYN050-013	WASHER, SPLIT, 1/2 ID, BLK XYLAN	54
CW31756-101	LABEL, PRECOR USA ICARIAN LINE	55
CW30147-101	ASSY, LABEL, INSTRUCTION, 606	57
CW10510-721	ASSY, PLATE, WEIGHT, 10 LBS, WRKL B	201
CW10520-721	ASSY, PLATE, WEIGHT, 20 LBS, WRKL B	202
CWAC1133-101	BUSHING, WEIGHT PLATE, LDPE PLASTIC	203
CW33870-102	ASSEMBLY, 5" WEIGHT STACK PIN & LEA	227
CW33870-102	ASSEMBLY, 5" WEIGHT STACK PIN & LEA	228
CWLDNN038-200	SLOTTED PIN SPRING, DIA 3/8 X 2	250
CW10519-721	PLATE, WEIGHT, 20 LBS, WRKL BLK	279
CW32560-101	ASSY, PLATE, WEIGHT, MED TOP (MTP-S)	299
CW30132-711	SELECTOR STEM, 20 PLATE, 0.875 DIA,	308
CW33261-101	LABELS, WEIGHT STACK, 200 LBS, 20-200	399
CW33269-101	LABELS, WEIGHT STACK, 250 LBS, 20-250	399
CW12537-109	NUT, INSERT, THIN-NUT, LARGE FLANGE	400
CWPF3143-211	SHROUD, SHEET, STEEL, 4 BENDS, SKY WHI	402.01
CWPF3143-221	SHROUD, SHEET, STEEL, 3/32 THICK, 4 BEN	402.02
CWPF3143-231	SHROUD, SHEET, STEEL, 3/32 THICK, 4 BEN	402.03
CWPF3143-241	SHROUD, SHEET, STEEL, 3/32 THICK, 4 BEN	402.04
CWPF3143-251	SHROUD, SHEET, STEEL, 3/32 THICK, 4 BEN	402.05
CWPF3143-261	SHROUD, SHEET, STEEL, 3/32 THICK, 4 BEN	402.06
CWPF3143-271	SHROUD, SHEET, STEEL, 3/32 THICK, 4 BEN	402.07
CWPF3143-281	SHROUD, SHEET, STEEL, 3/32 THICK, 4 BEN	402.08
CWPF3143-291	SHROUD, SHEET, STEEL, 3/32 THICK, 4 BEN	402.09
CWPF3143-311	SHROUD, SHEET, STEEL, 3/32 THICK, 4 BEN	402.11
CWPF3143-321	SHROUD, SHEET, STEEL, 4 BENDS, TITANIU	402.12
CWPF3143-331	SHROUD, SHEET, STEEL, 3/32 THICK, 4 BEN	402.13
CWPF3143-341	SHROUD, SHEET, STEEL, 3/32 THICK, 4 BEN	402.14
CWPF3143-351	SHROUD, SHEET, STEEL, 3/32 THICK, 4 BEN	402.15
CWPF3143-361	SHROUD, SHEET, STEEL, 3/32 THICK, 4 BEN	402.16
CWPF3143-711	SHROUD, SHEET, STEEL, 3/32 THICK, 4 BEN	402.17
CWPF3144-721	SHROUD BRKT, PLATE, STEEL, 1/8 THICK, 1	403
CWPF3145-721	SHROUD BRKT, PLATE, STEEL, 1/8 THICK, 2	404
CWTAYN031-100	SCREW, BUTTON HEAD, BLK XYLAN, 5/16	405
CWWALYN031-008	WASHER, SPLIT, 5/16 ID, BL	406
CWWBKN031-007	WASHER, FLAT, TYPE A, SAE, 5/16 ID	407
CWAC1177-101	FLOOR PROTECTOR, RUBBER, 4.563 X 4.	501
CWAC1178-101	FLOOR PROTECTOR, RUBBER, 2.563 X 6.	502